

GMKZ Knob Pull

Features

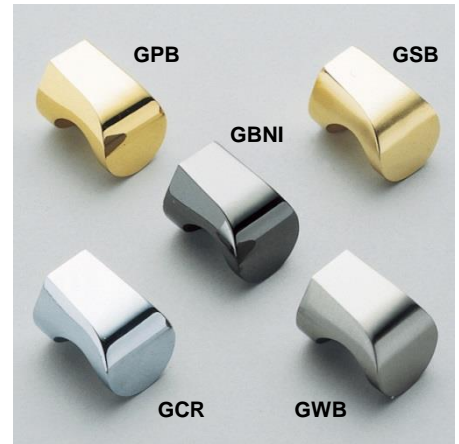
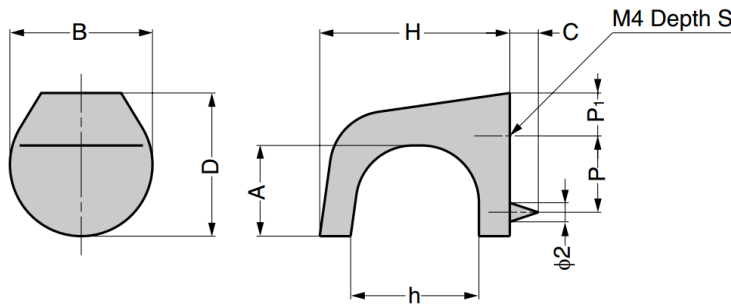
- Wide range of available finishes

Parts Included

- Truss head screw M4 x 25

Notes

- Pin position and size may vary



Part No.	Material	Colour	D	A	B	C	H	h	P	P ₁	S
GMKZ-15PB	Zinc Alloy (ZDC)	Brass / Clear	16	8	15	2	20	13.5	8	5.5	6
GMKZ-15CR		Chrome									
GMKZ-15BNI		Black Nickel									
GMKZ-15WB		White Bronze Plating									
GMKZ-15SB		Satin Gold									
GMKZ-21PB		Brass / Clear									
GMKZ-21CR		Chrome									
GMKZ-21BNI		Black Nickel									
GMKZ-21WB		White Bronze Plating									
GMKZ-21SB		Satin Gold									

GCU-L-35 Knob Pull

Features

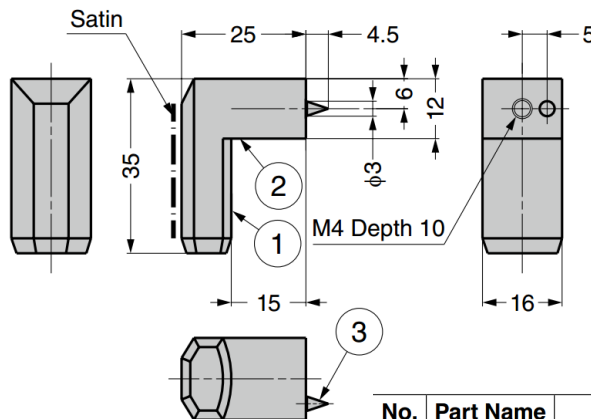
- Combination of polished and satin finish

Notes

- Pin position and size may vary

Parts Included

- Truss head screw M4 x 25 (SUS)



Part No.
GCU-L-35

No.	Part Name	Material	Finish
①	Body 1	Stainless Steel (SUS303)	Polished and Satin Combination
②	Body 2	Stainless Steel (SUS304)	Polished
③	Pin	Stainless Steel (SUS303)	